

Professional Dressing Mirror in Brushed Brass

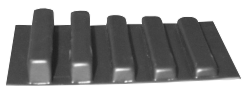
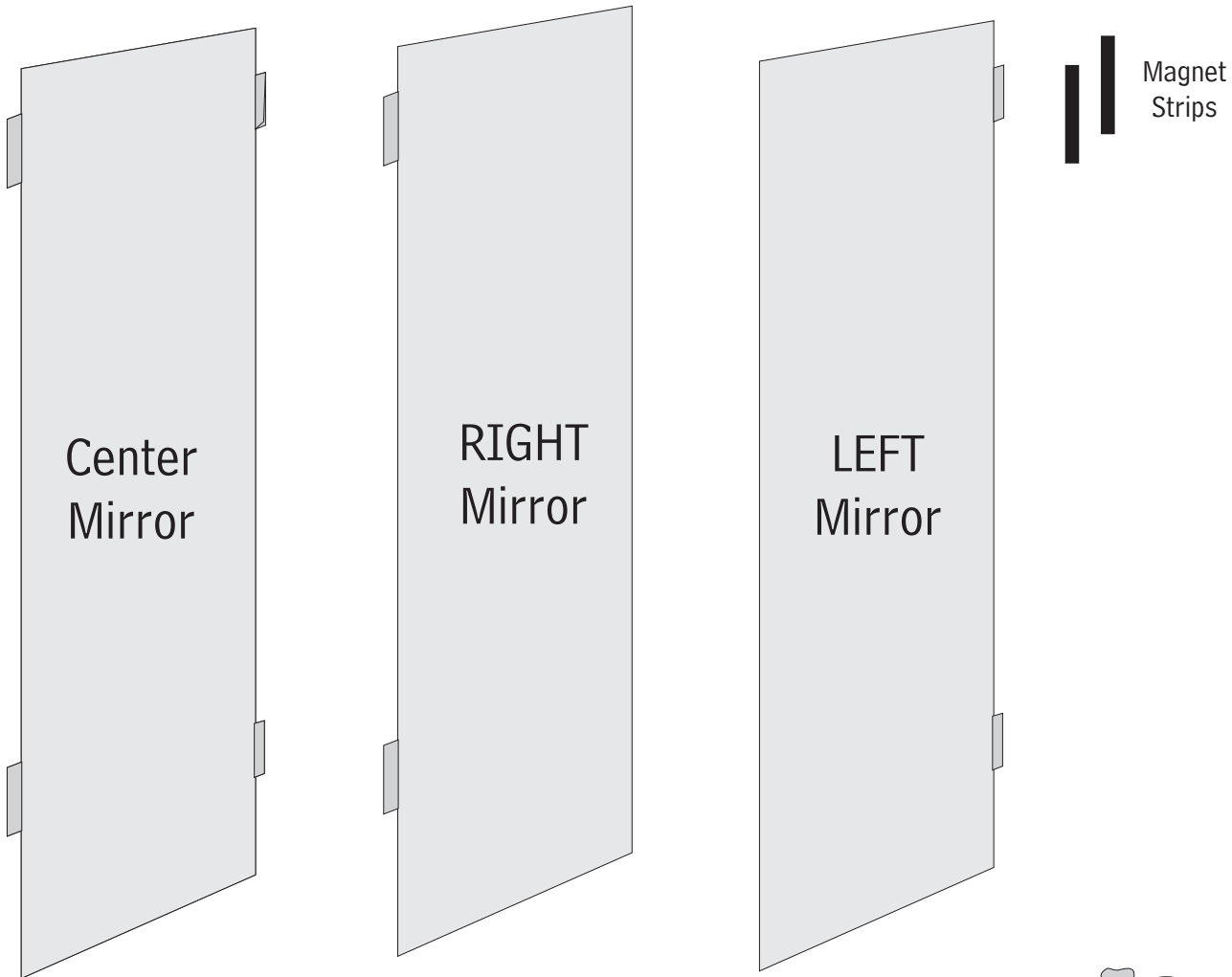
You first must hang the center mirror on the wall or door BEFORE attaching the sides. You will need 2 people for this.

Upon opening the carton, please check that you have all parts and that they are in good order. Mirrotek has always strived to make a quality product that you will be proud to own. If anything is damaged or missing, please call us. We will be happy to ship you replacement parts at no charge. In order that we may serve you better, please have the instruction sheet on hand when you call.

Customer Service: (888) 659-3030.

AN IMPORTANT NOTE FOR WALL HANGING

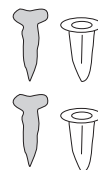
BE SURE TO USE TOGGLE NUTS ENCLOSED if you have hollow walls. THE HANGER MUST BE **SECURELY** ATTACHED TO THE WALL.



Behind Mirror
Balancer



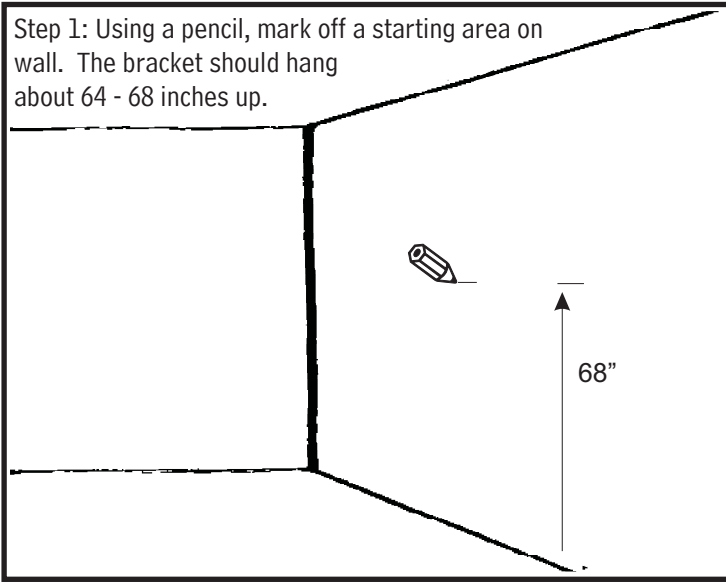
Metal Wall Bracket



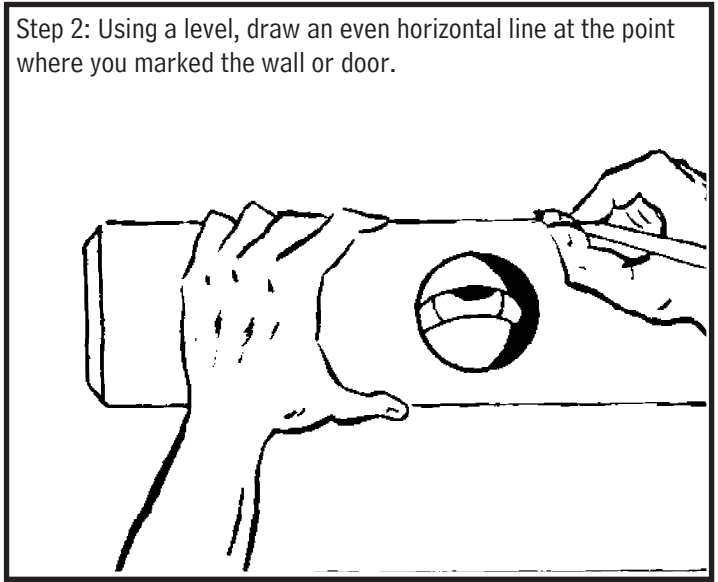
Screws and Mollys
(for Standard walls)

INSTRUCTIONS TO HANG THE MIRROR ON THE WALL:

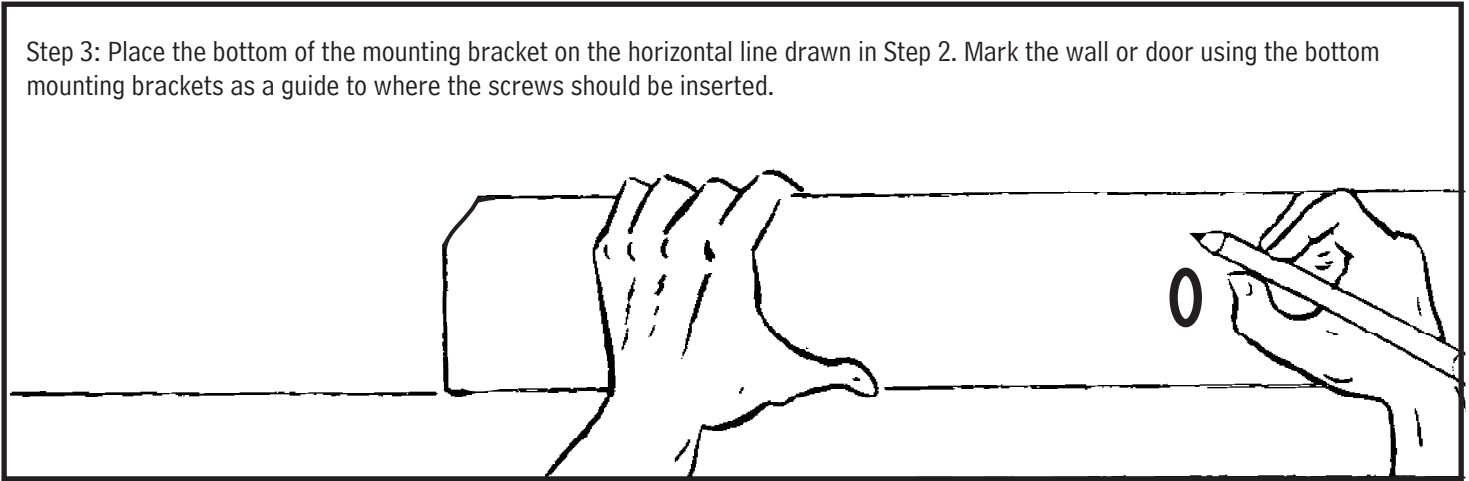
Step 1: Using a pencil, mark off a starting area on wall. The bracket should hang about 64 - 68 inches up.



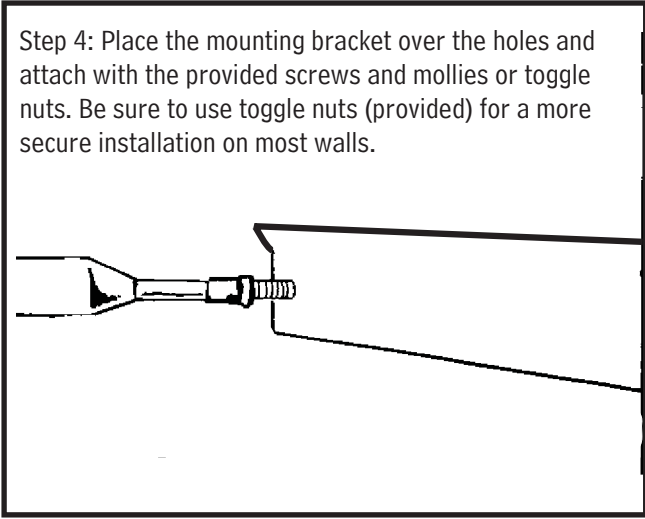
Step 2: Using a level, draw an even horizontal line at the point where you marked the wall or door.



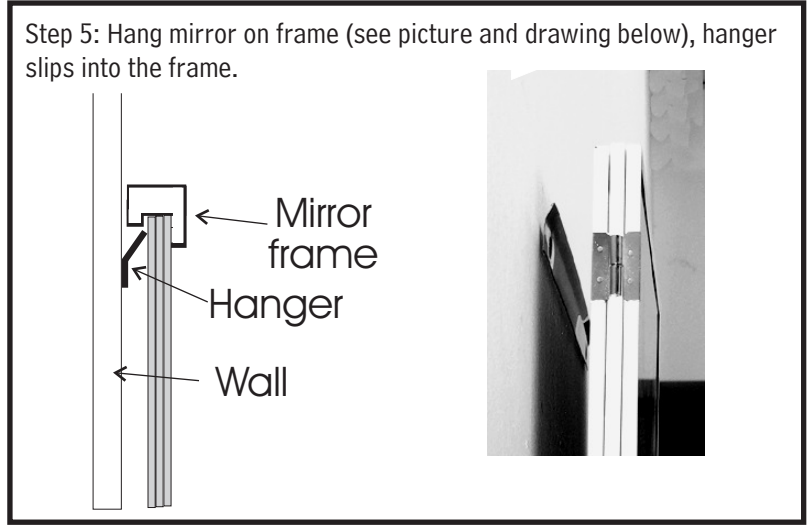
Step 3: Place the bottom of the mounting bracket on the horizontal line drawn in Step 2. Mark the wall or door using the bottom mounting brackets as a guide to where the screws should be inserted.



Step 4: Place the mounting bracket over the holes and attach with the provided screws and mollys or toggle nuts. Be sure to use toggle nuts (provided) for a more secure installation on most walls.

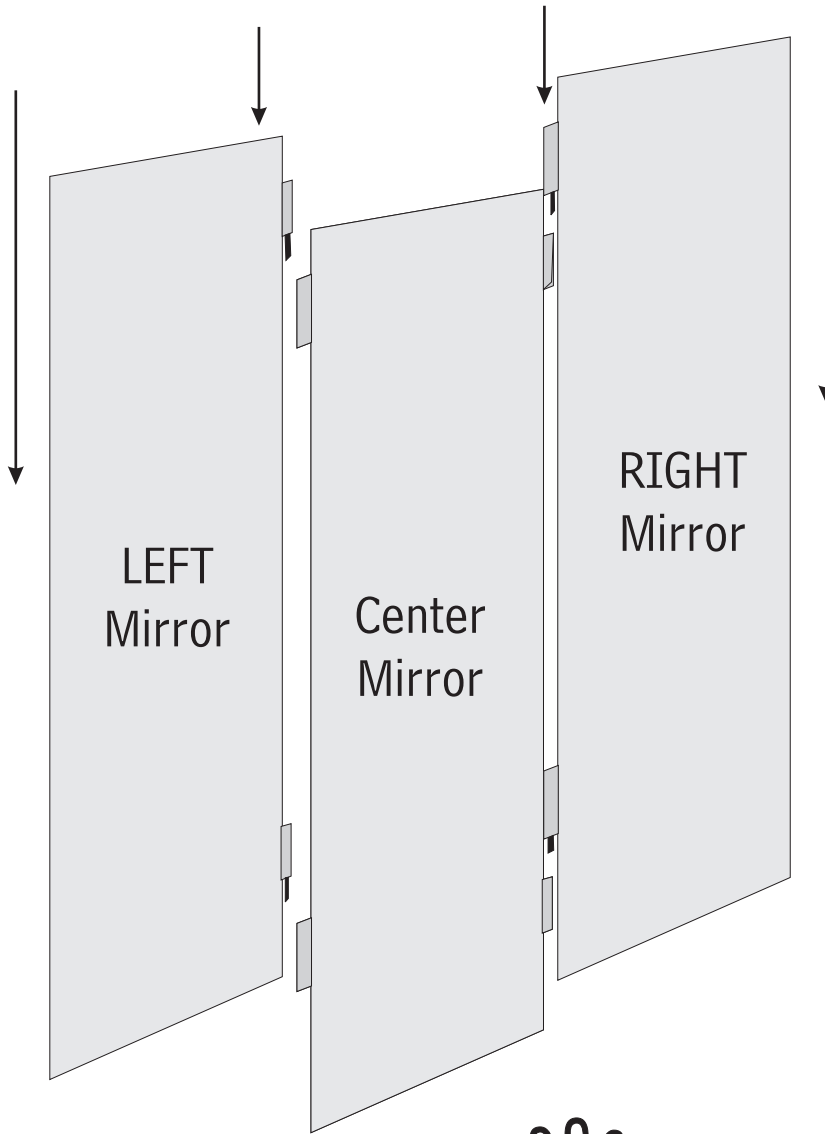


Step 5: Hang mirror on frame (see picture and drawing below), hanger slips into the frame.



INSTRUCTIONS TO LINK PANELS:

THESE MIRRORS USE 'SLIP HINGES'. BE SURE TO HOLD THEM SECURELY, THEY ARE NOT ATTACHED.



Step 1: Attach the mirror panels. The mirror panels feature a slip hinge shown in Fig. A.

Once the center mirror is hanging on the door or wall then slip the **LEFT** mirror panel (one side black & 1 side mirror) onto the slip hinges on the left.

Repeat this step with the RIGHT

CAREFULLY
SLIDE the LEFT panel onto the CENTER mirror. Next slide the RIGHT panel onto the CENTER mirror.

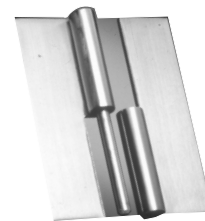


Fig. A
Slip Hinge

2 PEOPLE NEEDED



In order to prevent the mirrors panels from swinging open on their own, you must adjust the bottom of the mirror away from the wall. A plastic piece (a perpendicular level- shown above), is included with your mirror. Please notice that the level has bars of various depths on it.

Step 1: Slide the level under the center panel mirror, between the mirror and the wall. Be sure to insert the SMALLEST depth bar first. Continue pushing the plastic piece up, one bar at a time until you are satisfied that the panels don't swing open.

Step 2: Break off the remaining piece (it is perforated for easy breaking). To permanently attach the plastic piece to the mirror, use the two-sided tape already attached. Remove the protective paper and slide back in and push against the mirror.